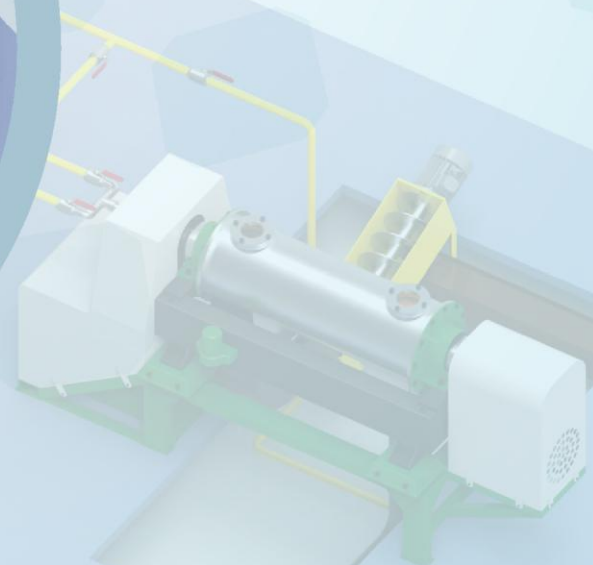
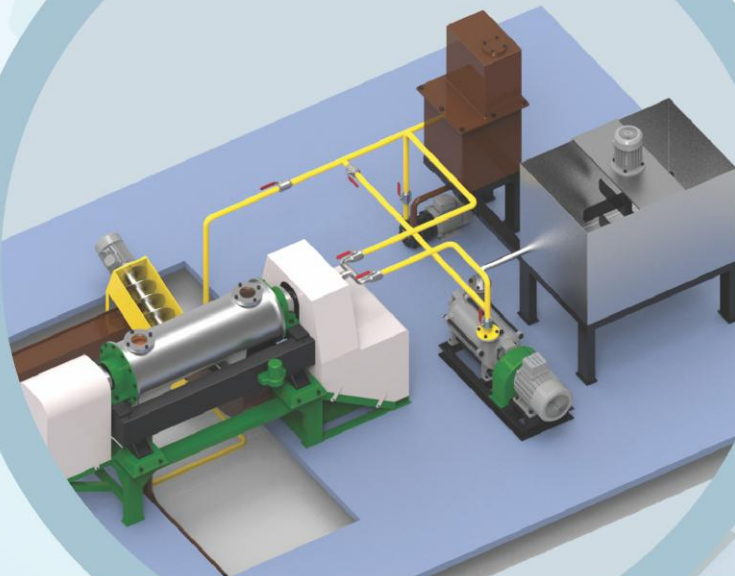
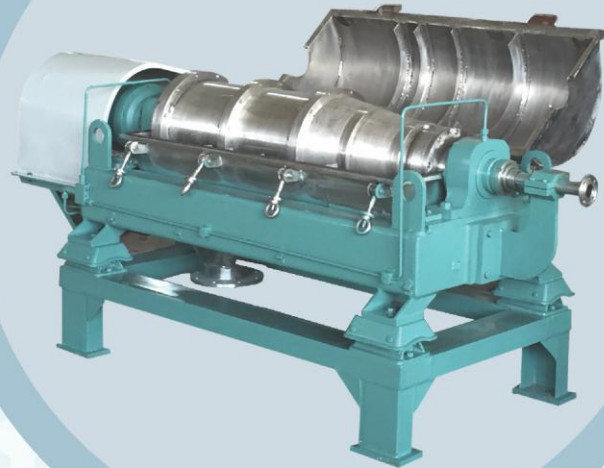
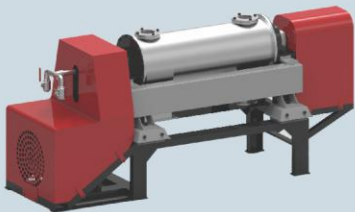


High Performance & Reliable Decanter Centrifuges For :

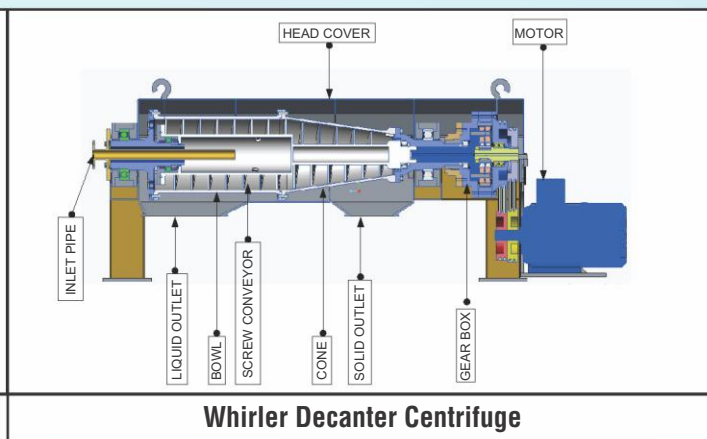
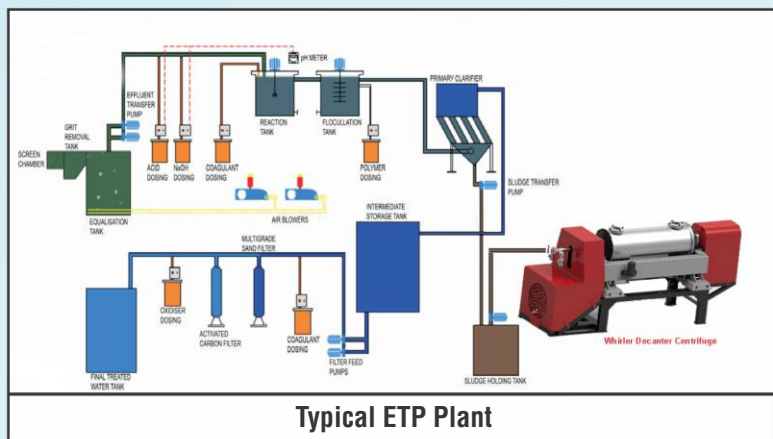
- ETP, STP & WWTP
- JUICE, OIL, WATER Etc.



WHIRLER



Decanter Centrifuges



Separating solids from liquids plays a key role in industrial processes. Decanter centrifuges of WHIRLER™ Brand perform this crucial function exceptionally well. Virtually all branches of industry need to separate solids from liquids for Effluent Treatment Plant (ETP) or Sewage Treatment Plant (STP) or Waste Water Treatment Plant (WWTP) or other processes. WHIRLER™ has more than 30 years of experience in meeting this requirement using decanter centrifuge technology. The decanter centrifuge is based on the simple idea of a clarifier or settling tank, in which particles, sediment and solids gradually fall to the bottom due to the force of gravity. Decanter Centrifuge Technology uses high speed rotational power, therefore replacing effect of gravity by a centrifugal force up to 4000 times more powerful. This force is then used to separate solids from liquids efficiently in a manner that is easy to control. A Decanter centrifuge can be used to separate a wide range of solids from liquid phase continuously.

STANDARD TECHNICAL DETAILS : DECANTER CENTRIFUGE

MODEL	Standard / Common	Model	20 D	25 D	35 D	45 D	60 D
BOWL	2 Phase Open Discharge	Bowl Dia	200 mm	250 mm	350 mm	450 mm	650 mm
CONVEYOR	Sterilite Welded Wear Protection	Bowl Length	600 mm	750 mm	1350 mm	1650 mm	1950 mm
FEED TUBE	Standard	Bowl Max RPM	4000	3500	3000	2700	2200
SEALING	Labyrinth Lip Seal	Conveyor Type	SCREW	SCREW	SCREW	SCREW	SCREW
CASING	Fabricate Machined, Wear Plate Protection	Conveyor Thickness	5 mm	5 mm	6 mm	6 mm	8 mm
FRAME	M.S. Structure EPOXY Painted	Speed Ratio Adjust	VFD	VFD	VFD	VFD	VFD
DRIVE	Single Motor Differential with Fluid Coupling or VFD	Main Motor	10.0 HP 2880 RPM	12.5 HP 2880 RPM	30 HP 2880 RPM	50 HP 2880 RPM	75 HP 2880 RPM
MAIN MOTOR	Standard Crompton/Equivalent	Process Feed/Input Liter/Hr(Min/Max)	100/1500	400/3000	2000/10000	3000/25000	5000/50000
PROTECTION	Over Load Protection, Over Current Protection Vibration Switch	Feed Solid (Suggestive)	50 Gm/Ltr. (5% w/w)	50 Gm/Ltr. (5% w/w)	50 Gm/Ltr. (5% w/w)	50 Gm/Ltr. (5% w/w)	50 Gm/Ltr. (5% w/w)
TOOLS AND KITS	Intermediate Kit with Seal Rings, Gaskets etc. 1 Set	Feed Sp. Gravity	1.1	1.1	1.1	1.1	1.1
MOC	SS304	Feed Temp	80 Deg. C	80 Deg. C	80 Deg. C	80 Deg. C	80 Deg. C
GEAR BOX	CYCLOIDAL	Feed Pipe Size	0.75"	1"	1.5"	2"	2.5"
		Weight	800 kgs.	1250 Kgs.	1800 Kgs.	2500 Kgs.	4500 Kgs.
		Clear Water Required	60 Ltr./ Hr.	115 Ltr./ Hr.	315 Ltr./ Hr.	680 Ltr./ Hr.	2000 Ltr./ Hr.
		PRICE					



Whirler Centrifugals Pvt. Ltd.

Works : Plot No.-1213, Phase - III, G.I.D.C. Estate, Vatva,
Ahmedabad - 382 445 (Gujarat) INDIA.
Mail : info@whirlercentrifugals.com
Web : www.whirlercentrifugals.com
M.: +91 94264 19038, +91 82643 65693

